

Features

- **Shallow depth drawers are ideal for use in Lowell's sectional wall cabinet Series L250** (may also be used in Series L253).
- **Welded 16-gauge US steel construction provides reliable support.**
- **Ball-bearing slides provide smooth operation and full-extension access to drawer contents.**
- **Finished in durable black powder epoxy.**

Description

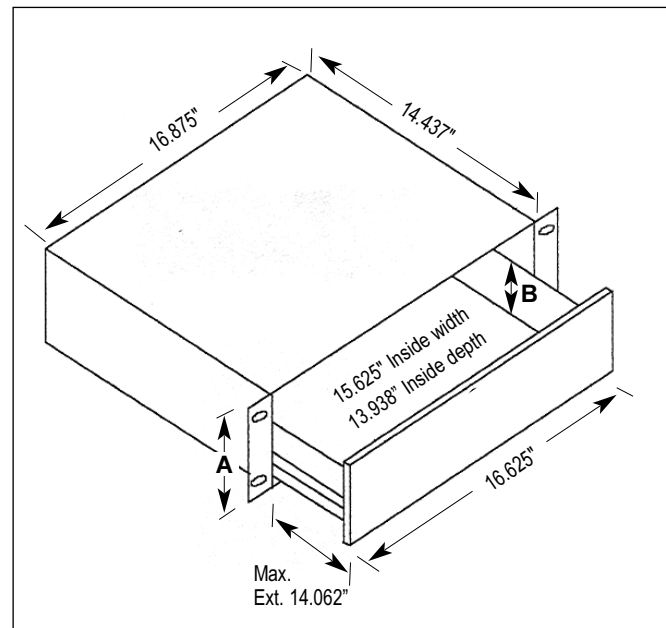
Lowell's storage drawer Series L28 measures 19"W x 14.437"D for organizing and storing loose equipment, documentation and supplies in 19"W EIA rackmount applications. The drawer's shallow depth (2" less than sister Series L18) was engineered specifically for use in Lowell's sectional wall cabinet Series L250 which has a 14"D mounting section plus room for the drawer to extend slightly into the backbox. Series L28 drawers are offered in 2, 3 and 4RU heights and may be ordered with or without a keylock for content security (suffix -L for keylock).

Series L28 drawers are welded, 16 gauge US steel construction with full extension ball-bearing slides for smooth, silent operation. For convenient access, the drawers extend to 14.062" and feature a formed full-length drawer pull on the upper front edge. The drawers have a conservative load rating of 50 pounds and mount easily to the front mounting rails on EIA 19"W racks using 10-32 hardware (order panel mounting screws separately - see page 2). Models with keylock include two keys. All are finished in smooth black powder epoxy.

For applications that require a deeper drawer see Series L18 with an overall depth of 16.437".



L28 Series
(Ideal for sectional wall cabinet Series L250)



L28 Series Dimensions

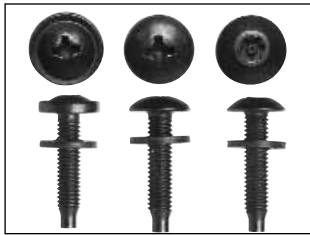
A & E Specifications

The drawer for 19"W rackmount use shall be Lowell 14.437"D non-locking Model _____ (L28-193, L28-195, L28-197) or locking Model _____ (L28-193L, L28-195L, L28-197L). Drawer shall have a panel space height of _____ (2RU, 3RU, 4RU) and a maximum extension of 14.062". Construction shall be welded 16 gauge US steel with ball bearing slides and positive stops. Load capacity shall be 50 pounds. Finish shall be black powder epoxy.

19" W DRAWER SPECIFICATIONS

Model (Non-locking)	Model (Locking)	Description	Overall Depth	(A) Panel Space (Inches)	(A) Panel Space (Rack Units)	(B) Inside Height	Inside Depth	Inside Width	Max Extension	Weight	Load Rating
L28-193	L28-193L	Storage drawer	14.437"	3.5"	2 RU	2.625"	13.938"	15.625"	14.062"	16 lbs	50 lbs.
L28-195	L28-195L	Storage drawer	14.437"	5.25"	3 RU	4.5"	13.938"	15.625"	14.062"	19 lbs.	50 lbs.
L28-197	L28-197L	Storage drawer	14.437"	7"	4 RU	6.25"	13.938"	15.625"	14.062"	21 lbs.	50 lbs.

Panel Mounting Screws (order separately)



RSP Phillips Finish Head
RS Phillips Truss Head
RSV Torx® Star Post Head



RSP-500 / RS-500 Jars

ALL screws have 5.1 hardness and include PilotPoint™ tip and captive washer!

Model	Description	Quantity
RSP-25	Hdwr phillips finish head pilot pt w washers Blk 10-32x.875	25 pc bag
RSP-100	Hdwr phillips finish head pilot pt w washers Blk 10-32x.875	100 pc bag
RSP-500	Hdwr phillips finish head pilot pt w washers Blk 10-32x.875	500 pc jar
RS-25	Hdwr phillips truss head pilot pt w washers Blk 10-32x.875	25 pc bag
RS-100	Hdwr phillips truss head pilot pt w washers Blk 10-32x.875	100 pc bag
RS-500	Hdwr phillips truss head pilot pt w washers Blk 10-32x.875	500 pc jar
RSR-50	Hdwr robertson SQ- head pilot pt w washers Blk 10-32x.875	50 pc bag
RSR-BIT	Hdwr torx pin drive bit for RSR Series screws	1 Qty
RSV-50	Hdwr torx star post security pilot pt w washers Blk 10-32x.875	50 pc bag
RSV-BIT	Hdwr torx pin drive bit for RSV Series screws	1 Qty

NEW RSR Robertson square head available!

Panel Space Reference Guide per EIA Standards

Accessory Panel Space Height - Nominal (Inches) (Rack Units - RU)		Cabinet Panel Space Opening - Actual (Inches)	EIA Holes Used / Covered per Mounting Rail (Spaced .625" - .625" - .5")
1.75	1	1.875	3
3.50	2	3.625	6
5.25	3	5.375	9
7.00	4	7.125	12
8.75	5	8.875	15
10.50	6	10.625	18
12.25	7	12.375	21
14.00	8	14.125	24
15.75	9	15.875	27
17.50	10	17.625	30
19.25	11	19.375	33
21.00	12	21.125	36
22.75	13	22.875	39
24.50	14	24.625	42
26.25	15	26.375	45
28.00	16	28.125	48
29.75	17	29.875	51
31.50	18	31.625	54
33.25	19	33.375	57
35.00	20	35.125	60
36.75	21	36.875	63
38.50	22	38.625	66
40.25	23	40.375	69
42.00	24	42.125	72
43.75	25	43.875	75
45.50	26	45.625	78
47.25	27	47.375	81
49.00	28	49.125	84
50.75	29	50.875	87
52.50	30	52.625	90
54.25	31	54.375	93
56.00	32	56.125	96
57.75	33	57.875	99
59.50	34	59.625	102
61.25	35	61.375	105
63.00	36	63.125	108
64.75	37	64.875	111
66.50	38	66.625	114
68.25	39	68.375	117
70.00	40	70.125	120
71.75	41	71.625	123
73.50	42	73.625	126
75.25	43	75.375	129
77.00	44	77.125	132

Open Frame
Floor

Solid Side
Floor &
Desk

Wallmount
Surface &
Recessed

Panels &
Accessories

Thermal &
Wire Mngmt

19W Drawers - Storage