

Quality Features

- Attractive wood-finish assemblies are ideal for surface mounting speaker applications.
- Assemblies include a hanger bracket and color coded speaker leads for fast wall mount installation.
- Choose models with or without knob-adjust volume control.

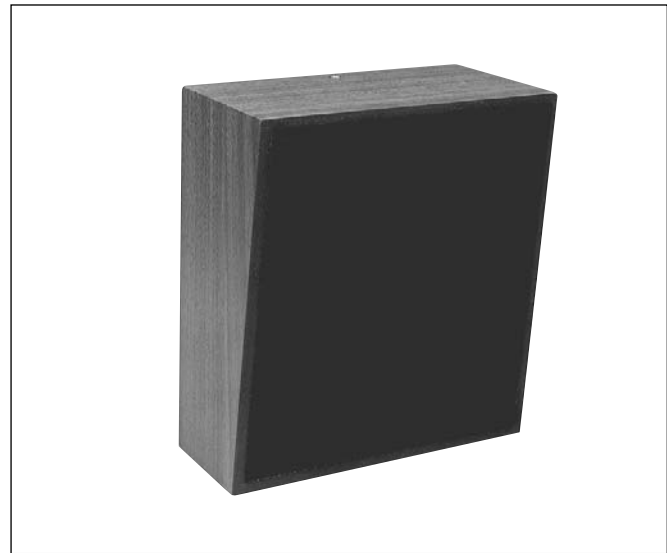
Description

Slope-front Wall Speaker Series SL810 is an attractive speaker assembly for surface-mount applications where the aesthetics of a wood finish housing with black cloth grille are preferred characteristics for the paging and music speakers.

Each assembly includes dual cone 8" 10 oz. driver Model 810 with a factory wired dual voltage transformer mounted within a slope-front housing. The housing measures 10.551"H x 9.469"W with a front-to-rear depth of 5.5" at the top and 3.625" at the bottom. The housing is particle board construction with an attractive walnut laminate and black fabric grille. The assembly includes a rear mounted hanger bracket with easy-install keyhole mount located on the center top edge of the housing. The housing has an open back and features a .354"Dia. opening with a black gasket, bottom center, for optional factory wired volume control. For wired volume control with knob adjustment, select Model SL810-T72K.

A & E Specifications

Slope-front speaker assembly shall be Lowell Model _____ (SL810-T72 or SL810-T72K with knob-style volume control). Assembly shall include a 15W dual cone driver with dual voltage transformer mounted within a slope-front housing constructed of particle board and covered with a walnut laminate and black cloth grille. Speaker shall have a frequency response of 47Hz - 20kHz \pm 6dB and an average sensitivity of 95dB. Factory-wired transformer shall be dual voltage (70V / 25V) with power taps at 0.25, 0.5, 1, 2, and 5 watts. Assembly shall terminate with color coded leads.



SL810-72 (15W)

Assemblies include a slope-front wood enclosure with a factory mounted driver, transformer, and optional volume control.



Assembly driver Model 810 (15W) includes a wired dual voltage transformer.

ASSEMBLY MODELS

Assembly Model	Driver Model	Transformer 70V / 25V	Transformer (wired)	Grille	Sloped Backbox (Particle board with walnut laminate)	Mounting Style	Volume Control
SL810-T72	810	70 / 25	0.25, 0.5, 1, 2, 5W	Black cloth	10.551"H x 9.469"W x 5.5"D (top), 3.625"D (bottom)	Rear hanger bracket	No
SL810-T72K	810	70 / 25	0.25, 0.5, 1, 2, 5W	Black cloth	10.551"H x 9.469"W x 5.5"D (top), 3.625"D (bottom)	Rear hanger bracket	Yes (knob)

DRIVER SPECIFICATIONS

Driver Model	Size	Power Rating	Type	Ceramic Magnet	Frequency Response	Dispersion	Voice Coil Impedance	Voice Coil Diameter	Sensitivity 1W / 1M	Depth	Weight
810	8"	15W RMS	Dual cone	10 oz.	47Hz - 20kHz \pm 6dB	120° @ 2000Hz -6dB	8 Ohms	1"	95dB Avg. 100dB Peak	2.84"	2.0 lbs.



SL810 Series

Slope-front 15W Wall Speakers

A
U
D
I
O

12"/10"
Speakers &
Accessories



8"
Speakers &
Accessories

6"

Speakers &
Accessories

4"

Speakers &
Accessories

Horn

Speakers &
Accessories

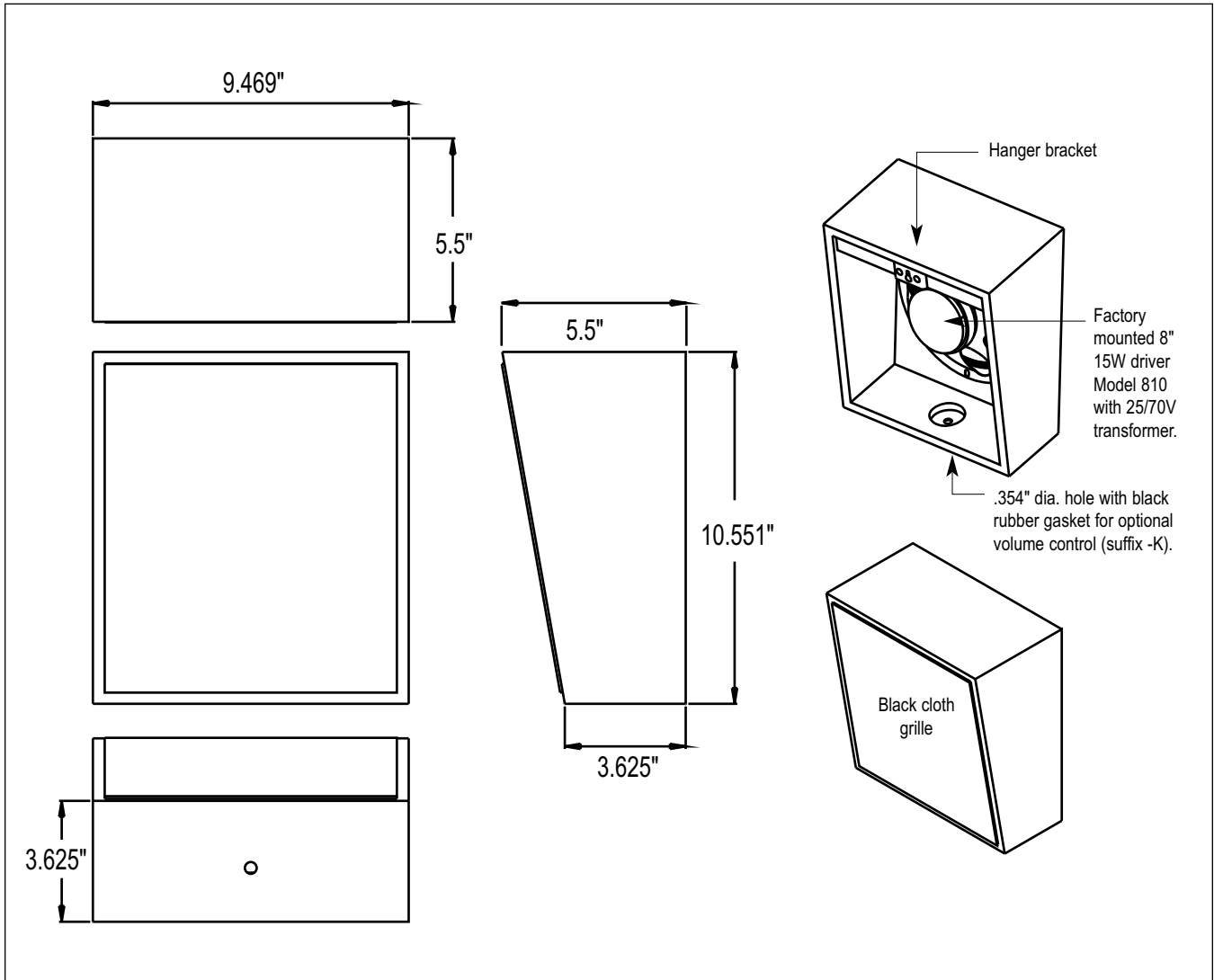
Masking

Speakers &
Generators

Control

Accessories
& Electronics

Systems



Dimensions for Lowell Model Series SL810