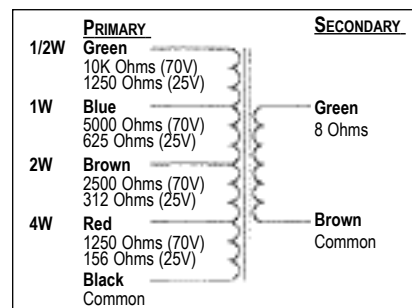
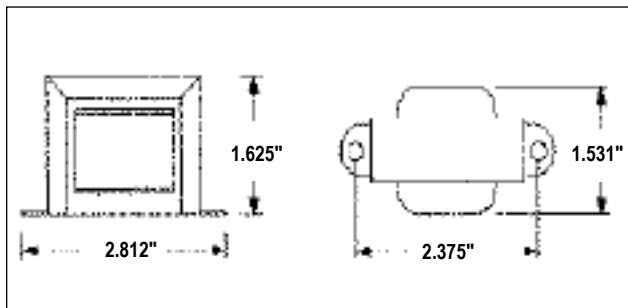


Description:

High-performance 4W 70V line-matching transformer with Teflon leads and primary taps at 4, 2, 1 and .5 watts.

A&E Specifications:

The line matching transformer shall be Lowell Model TLM470T. Primary voltage shall be 70V with a power rating of 4 watts. Primary taps shall be available at 4, 2, 1 and .5 watts. Secondary impedance taps shall be available at 8 ohms. Unit shall have Teflon leads. Frequency response of the transformer shall be 60Hz-15kHz \pm 1dB with insertion loss not to exceed .8dB.



Model No.	Primary Voltage	Power Rating	Primary Taps	Secondary Impedance	Core Size	Insertion Loss	Frequency Response	Lead Length	Weight (lbs.)
TLM470T	70V	4W	4, 2, 1, .5W	8 Ohms	.625" x .625"	.8dB	60Hz-15kHz \pm 1dB	8"	.55